

2020
guide

Vista

Granite and Quartz Vanity Tops



Color: Palazzo
Sink: Rectangular (white)

COLOR OPTIONS

GRANITE PRICE



Wheat

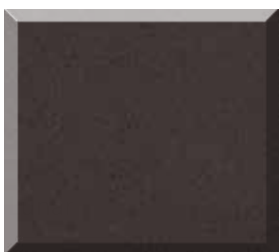


Meteorite

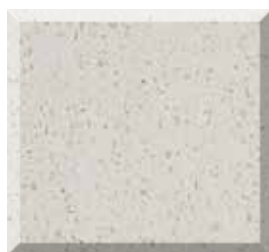


Burlywood

QUARTZ PRICE GROUP 1



Lunar

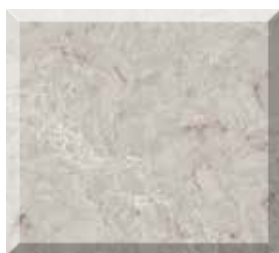


White Sands

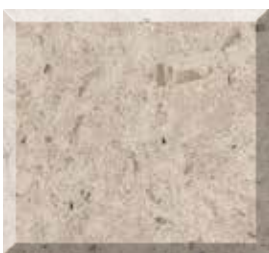


Cafe Noir

QUARTZ PRICE GROUP 4



Salem



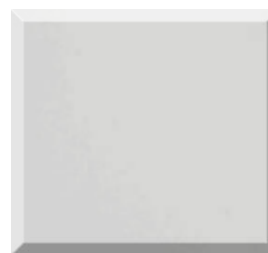
Apollo



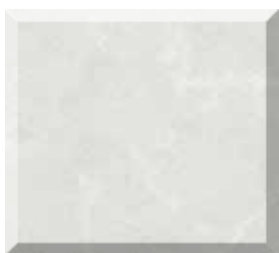
Penumbra



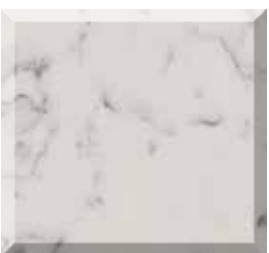
Kodiak



Casablanca



Mira



Palazzo



Callisto



Elara

- Backsplash and oval bowl included in list price.
- Faucet holes are included in the price and are available in either a single hole, 3-hole 4" or 8" spread.
- 2cm thickness on deck and splash.
- Standard depth is 22-1/2".

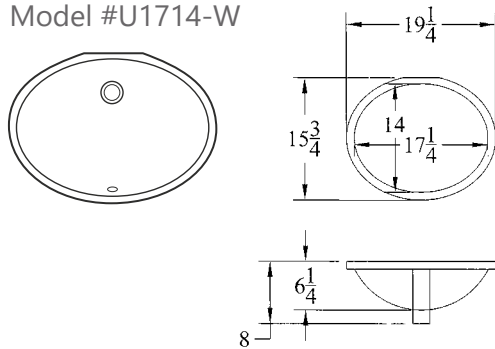
Standard Tops- Modular Standard Depth is 22-1/2	Oval	Granite Price	Quartz Price Group 1
25	Oval Sink	\$380.52	\$634.20
31	Oval Sink	\$422.80	\$655.34
37	Oval Sink	\$465.08	\$803.32
49	Oval Sink	\$549.64	\$835.03
61	Oval Sink	\$665.91	\$951.30
61 Double (bowl center - 15-1/2" from left to right)	Oval Sink	\$898.45	\$1395.24
Set On Side Splash		\$42.28	\$42.28
Change to rectangular bowl		\$26.43	\$26.43
Standard Tops- Modular Standard Depth is 22-1/2	Oval	Quartz Price Group 4	
25	Oval Sink	\$739.90	
31	Oval Sink	\$866.74	
37	Oval Sink	\$993.58	
49	Oval Sink	\$1236.69	
61	Oval Sink	\$1500.94	
61 Double (bowl center - 15-1/2" from left to right)	Oval Sink	\$1659.49	
Set On Side Splash		\$42.28	
Change to rectangular bowl		\$26.43	

- All modular tops have a 4" backsplash 2cm thick included.
- All sink centered on top with the exception of double

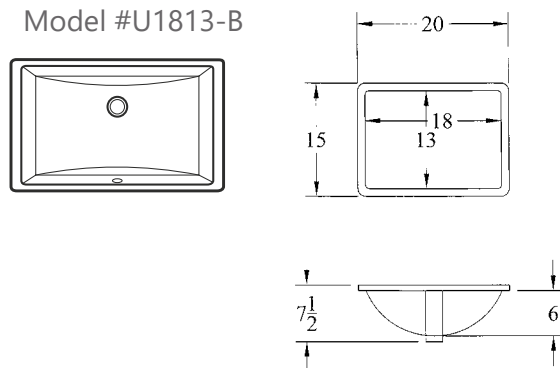
SINK OPTIONS

- Color: **White Only**
- 2 Shapes: Oval (U1714-W) and Rectangular (U1813-B)

Model #U1714-W



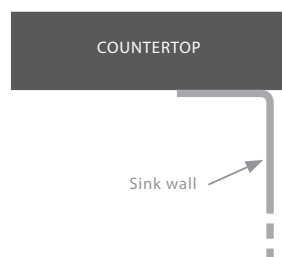
Model #U1813-B



SINK REVEAL

NEGATIVE REVEAL

Countertop edge overhangs the edge/wall of sink on all sides approximately 1/2".



STANDARD & CUSTOM SIZES

- Standard modular vanity tops are available in the following sizes: 25", 31", 37", 49", and 61"
- A custom offering is available up to 108".
- All standard and custom sizes are standard 2cm thickness.
- 4" backsplash is included.



- Backsplash and faucet holes are included in list price.
Faucet holes are available in either a single hole, 3-hole 4" or 8" spread.
- 2cm thickness on deck and splash.
- Standard depth is 22-1/2".

Custom Tops	Granite Price	Quartz Price Group 1	Quartz Price Group 4
Up to 25"	\$306.53	\$422.80	\$507.36
31"	\$380.52	\$528.50	\$613.06
37	\$454.51	\$623.63	\$708.19
43	\$528.50	\$729.33	\$813.89
49	\$602.49	\$824.46	\$909.02
55	\$676.48	\$930.16	\$1014.72
61	\$750.47	\$1035.86	\$1120.42
67	\$824.46	\$1141.56	\$1226.12
73	\$898.45	\$1236.69	\$1321.25
79	\$972.44	\$1363.53	\$1448.09
85	\$1046.43	\$1469.23	\$1553.79
Up to 108"	\$1374.10	\$1929.03	\$2036.84
Extras			
Oval Sink (installed)	\$301.25	\$301.25	\$301.25
Rectangular Sink (installed)	\$327.67	\$327.67	\$327.67
Polished Eased Edge	\$84.56	\$84.56	\$84.56
Sidesplash	\$42.28	\$42.28	\$42.28
Cut Edge	N/C	N/C	N/C
Bowl Style	Minimum Offset		
Oval (U1714-W)	11-3/4"		
Rectangular (U1813-B)	12-1/2"		

Worksheet	
Countertop/Island Price	
Bowl (s)	
Polished Eased Edge	
Sidesplash	
Multiplier	
Total	



Color: Elara
Sink: Rectangular (White)

Vista One (1) - YEAR LIMITED WARRANTY

Agco, Inc. warrants to the original purchasing consumer (the "Consumer") of Vista vanity tops (the "Product") that the Product shall be free from defects in materials and workmanship for a period of one (1) year from the date of purchase subject to the following terms, conditions and exclusions.

TERMS AND CONDITIONS

This limited warranty shall apply only to Product that is properly fabricated and installed for use in the United States of America and shall be interpreted exclusively under the laws of the state of Georgia. This limited warranty is not transferable, and expires upon resale or transfer by the original purchasing consumer. The Consumer's sole and exclusive remedy against Agco, Inc. for Product determined to be defective within one (1) year from the date of purchase by the Consumer shall be limited to repair or replacement of Product in slab or fabricated blank form or refund of the purchase price of the Product only. Determination of the defects as well as the option to repair or replace the Product or refund the purchase price, as herein provided, shall be at the sole discretion of Agco, Inc.

Agco, Inc. must be permitted sufficient time and opportunity to inspect the Product and respond to any claims made pursuant this warranty.

NO OTHER WARRANTIES, EXPRESS, IMPLIED OR STATUTORY, ARE MADE, INCLUDING, BUT NOT LIMITED TO MERCHANTABILITY, FITNESS FOR A PARTICULAR PURPOSE OR NON-INFRINGEMENT. UNDER NO CIRCUMSTANCES SHALL AGCO BE LIABLE FOR ANY LOSS OR DAMAGE ARISING FROM THE PURCHASE, USE OR INABILITY TO USE ITS PRODUCTS OR FOR ANY SPECIAL, PUNITIVE, INDIRECT, INCIDENTAL OR CONSEQUENTIAL DAMAGES AND AGCO MAXIMUM LIABILITY SHALL NOT EXCEED THE AMOUNT OF THE PURCHASE PRICE OF THE PRODUCT ONLY PAID BY THE CONSUMER. NO DEALER, DISTRIBUTOR, FABRICATOR, INSTALLER, AGENT OR EMPLOYEE OF AGCO HAS THE AUTHORITY TO ADD TO OR MODIFY THE OBLIGATIONS OR LIMITATION OF THIS LIMITED WARRANTY.

EXCLUSIONS

This warranty covers only defects in the Product and does not cover damage caused by abuse, accidents, misuse, rapid change in temperature or thermal shock, exposure to temperature extremes, staining, exposure to ultraviolet light, exposure to harsh abrasives or chemicals, improper fabrication or installation.

This warranty does not cover seam appearance or performance.

This warranty does not cover normal maintenance or damage of Product resulting from failure to properly maintain the Product.

The Product is intended to have a natural and non-uniform appearance. Variances in color, shade, particle appearance or finish are not considered to be defects and are not covered by this warranty.

NOTICE

To make a claim under this limited warranty, contact your original distributor, dealer or fabricator promptly (but in no event more than one (1) year after the date of your purchase), and if you need other assistance, contact:

Agco, Inc.
2782 Simpson Cir
Norcross, GA 30071

This limited warranty gives you specific legal rights, and you may also have other rights which vary from state to state; therefore, some of the limitations stated above may not apply to you. It is to your benefit to save your documentation upon purchase of a product. Evidence of purchase date is required for coverage under this limited warranty.

CARE & MAINTENANCE

QUARTZ VANITY

White Sands	Kodiak
Lunar	Casablanca
Café Noir	Mira
Salem	Palazzo
Apollo	Callisto
Penumbra	Elara

Quartz Disclaimer

Although quartz is an extremely durable surface, it is not indestructible. It is recommended that excessive force or pressure be avoided around the sink and edges, as the surface may chip or crack. Secondly, be sure to avoid harsh chemicals such as drain clearing products, oven and grill cleaners, paint stripper, dish washer chemicals, and toilet bowl cleaners. Your A'vant vanity top is resistant to heat, however, any stone material can sustain damage from sudden and rapid heat changes. The use of trivets or heat pads is recommended when using heated appliances such as curling irons or straighteners.

Cleaning

Daily cleaning with damp cloth and mild detergent will ensure your Vista vanity top will continue to look as great as the day it was installed. Be sure to thoroughly rinse off the detergent with water and dry with a soft cloth, to eliminate residue build up or the appearance of streaks.

There are many quartz countertop cleaning products on the market. We recommend using ammonia free household cleaners with a pH between 5 and 8.

To remove stuck-on residue, carefully scrape away with a plastic putty knife or scraper and follow up with a non-abrasive cleaner applied to the surface with a non-abrasive scrubbing pad. Using abrasive cleaners and/or scrubbing pads can damage the polished surface.

GRANITE VANITY

Wheat
Meteorite
Burlywood

Granite Disclaimer

Granite is naturally porous; therefore, sealing it is required to ensure your countertop is protected from absorbing spills and stains. We recommend sealing your Vista vanity top regularly with a penetrating sealer.

Although Vista vanities provide an extremely durable surface, it is not indestructible. It is recommended that excessive force or pressure be avoided, as the surface may chip or crack.

Your Vista vanity top is resistant to heat, however, any stone material can sustain damage from sudden and rapid heat changes. The use of trivets or heat pads is recommended when using appliances such as curling irons or straighteners.

Cleaning

Daily cleaning with a damp cloth and mild detergent will ensure your Vista vanity top will continue to look as great as the day it was installed. Be sure to thoroughly rinse off the detergent with water and dry with a soft cloth, to eliminate residue build up or the appearance of streaks.

There are many granite countertop cleaning products on the market. We recommend using ammonia free household cleaners with a pH between 5 and 8. Spills and stains are inevitable over the lifespan of your Vista vanity top. Here are a few tips to mitigate the effects. Instead of wiping the spill up, blot instead. Blotting ensures the spill does not spread.

Once the spill is cleaned up, be sure to clean the area with a damp cloth and mild detergent, taking care to thoroughly rinse the area. Thoroughly dry the area with a soft cloth and repeat if necessary.

Sealing Maintenance

We recommend sealing your Vista vanity top, **prior to installation**, with a penetrating sealer. Then, re-seal every 30-60 days after installation. Once protected with sealer, your Vista vanity top will be easy to clean. 314P Premium Stone Impregnator is a recommended sealant. Follow instructions carefully as build up of polish will cause tops to look dull. Visit www.granitecitytool.com/all/product/1748 for more information.



Vista

Quote Form

Order Form

ph 701.298.0644 | 800.298.0644
 Fax all orders to 701.235.0584

Date: _____
 Company Name: _____ PO #: _____
 Your Name: _____ Tag : _____

Style: GR Q1 Q4
 Bowl Style: Oval Rectangular
 Bowl Color: White Qty: _____

Center Bowl

Color: _____
 Sidesplash Left: _____ Sidesplash Right: _____
 Finish End Left: _____ Finish End Right: _____
 Drill: 4 8 Center (1 hole) None

Total: _____

Style: GR Q1 Q4
 Bowl Style: Oval Rectangular
 Bowl Color: White Qty: _____

Offset Bowl - indicate offset
 Left or Right (to center of bowl)

Color: _____
 Sidesplash Left: _____ Sidesplash Right: _____
 Finish End Left: _____ Finish End Right: _____
 Drill: 4 8 Center (1 hole) None

Total: _____

Style: GR Q1 Q4
 Bowl Style: Oval Rectangular
 Bowl Color: White Qty: _____

Double Bowl - Indicate offsets
 Left and Right (to center of bowl)

Color: _____
 Sidesplash Left: _____ Sidesplash Right: _____
 Finish End Left: _____ Finish End Right: _____
 Drill: 4 8 Center (1 hole) None

Total: _____

AVAILABLE BOWLS & MINIMUM OFFSETS

Oval 11-3/4"
 Rectangular 12-1/2"

Vista



Color: Salem
Sink: Rectangular (Bisque)



www.fabricatorssupply.net



Showroom located at:
806 NP Ave | Fargo

828 NP Ave
Fargo, ND 58102
ph 701.298.0644
800.298.0644
fx 701.235.0584

Showroom located at:
171 Eastdale Dr | Bismarck
ph 701.751.6024

Shop Located at:
3700 E Divide
Bismarck, ND 58501
ph 701.223.4307
fx 701.323.7143

130 Riverside Road
Billings, MT 59101
ph 406.245.6770
fx 406.245.6975

12811 Alfalfa Lane SW
Pillager, MN 56473
ph 800.298.0644
fx 218.515.6015

4501 103rd Court NE, Ste 170
Blaine, MN 55014
ph 763.270.0580
fx 763.444.1803